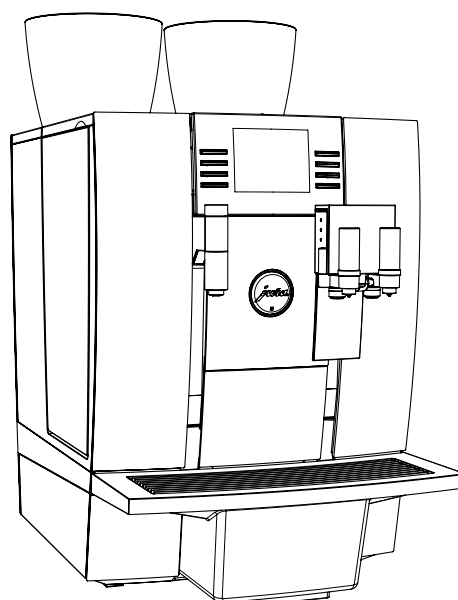


## Technical documentation

### GIGA X8c Professional



#### Supplied as standard

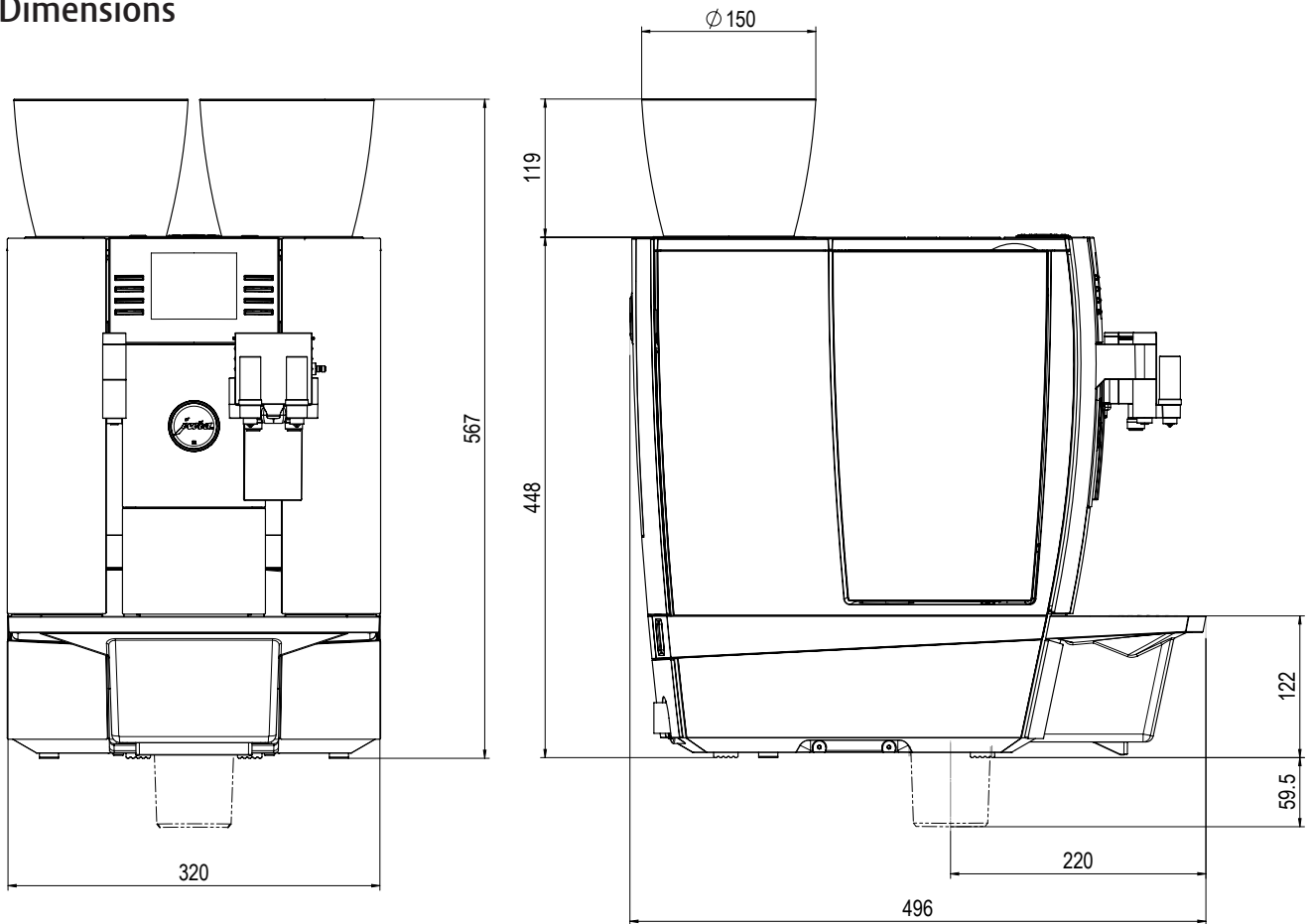
- Automatic speciality coffee machine
- Drip drain set
- Reinforced hose, 3/8" – 3/4" (with 90° bend)
- Cappuccino cleaner, 1000 ml
- Welcome Pack:
  - Instructions for use
  - Cleaning tablets
  - Air intake pipe
  - Silicone hose and connector

#### Requirements for installation location

- Horizontal surface that is not sensitive to water
- Ambient conditions:
  - Air humidity max. 80%
  - Ambient temperature 10–35°C
- i** The required connections at the customer's premises must be carried out by an approved **qualified person** before the JURA service technician can set up the GIGA at your chosen location.
- i** Please make sure that the building connections are as close as possible to the location of the machine (refer to length of connection pipes).

Always note the information in the instructions for use for your coffee machine (Chapter 1 "Preparing and using for the first time" – "Requirements for first-time use" / "Setting up the machine").

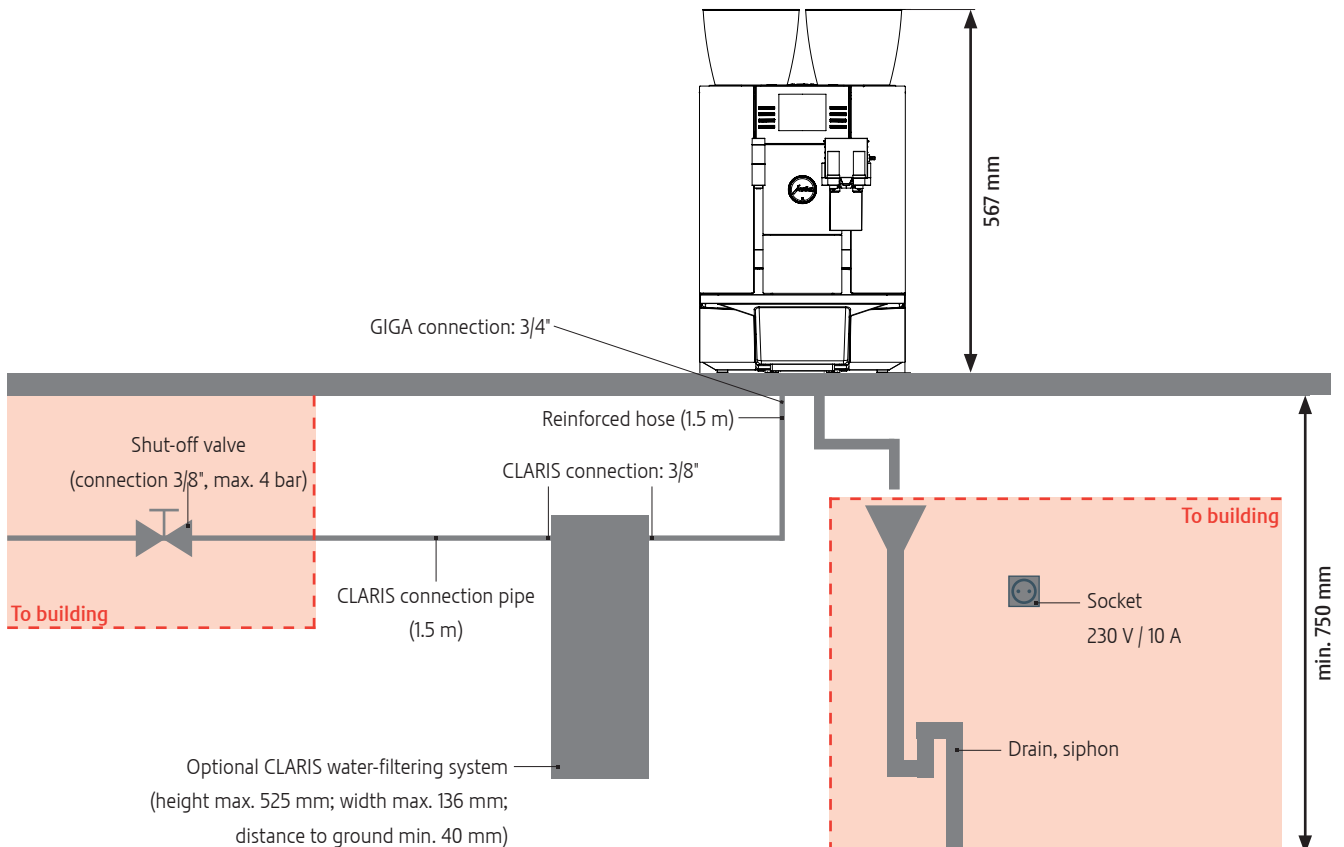
## Dimensions



Outline

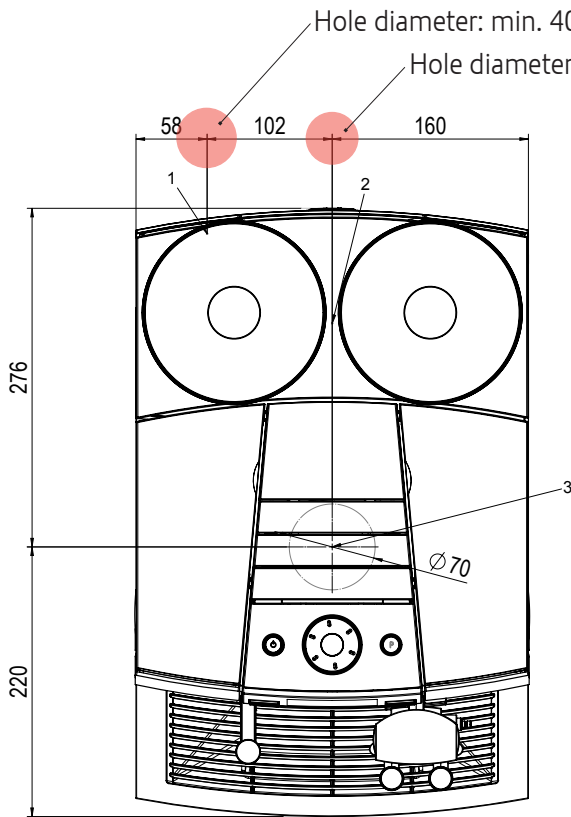
Side outline

## General space needed



## Holes for coffee grounds disposal and drip drain set

Position of separate holes in work surface for permanent water connection and drain hose

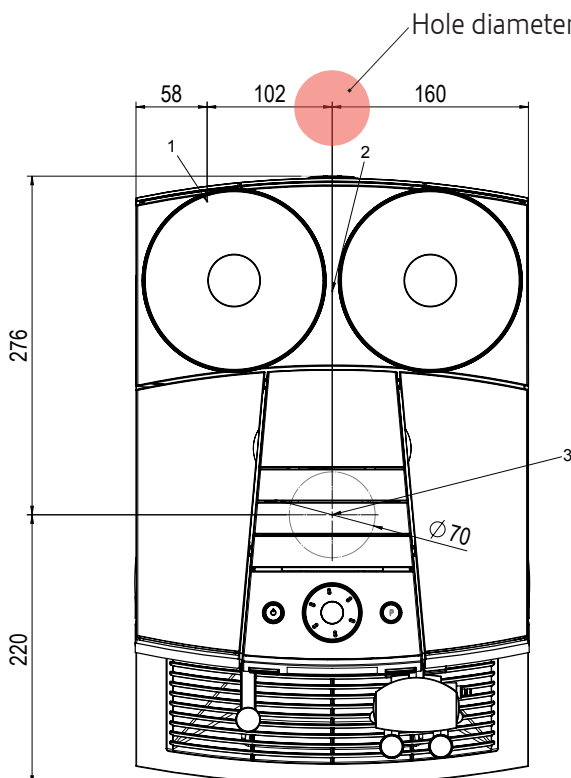


Hole diameter: min. 40 mm (hose diameter: 35 mm)  
Hole diameter: min. 30 mm (hose diameter: 20 mm)

- 1 Position of permanent water connection
- 2 Position of drain hose

**i** Minimum distance between holes and machine: 40 mm

Position of shared hole in work surface for permanent water connection and drain hose



Hole diameter: min. 60 mm

- 1 Position of permanent water connection
- 2 Position of drain hose

**i** Minimum distance between holes and machine: 40 mm

## Position of hole in work surface for coffee grounds disposal

